

# PA40-44-X-Dx-QF Data Sheet

## 40 pin DIP socket/44 pin QFP plug

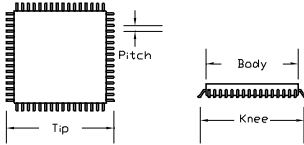
### Supported Device/Footprints

The PA40-44-Dx-QF adapters accepts 40 pin DIP devices and has a removable 44 pin QFP solder-down plug. This allows DIP devices, or emulators with DIP plugs, to be used during development of QFP based products.

Footprint: This QFP plug will fit most 44 pin. 0.8mm pitch, QFP land patterns.

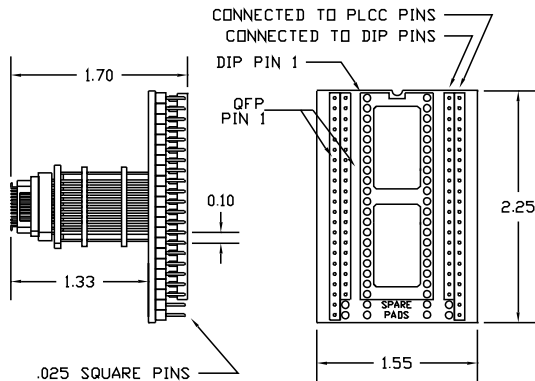
Recommended:	Inner pad span	Outer pad span
	10.0mm or less	12.0mm or more

The QFP Plug's leads are dimensioned as follows.

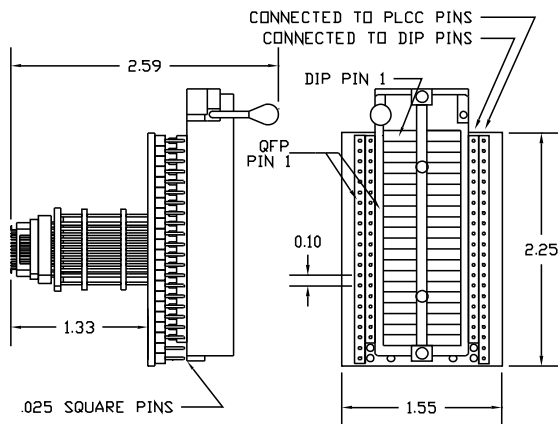


Plug	Body	Knee	Tip	Pitch
PQF-44	10.0 mm typ	9.6 mm typ	12.0 mm typ	0.8 mm

### Adapter Dimensions



PA40-44-X-DP-QF



PA40-44-X-DZ-QF

### Adapter Construction

The adapter is made up of 2 or 3 sub-assemblies. They assemble via connectors making the adapter modular. This way the sub-assemblies can be replaced easily.

The following chart lists the adapters described by this datasheet and their subassemblies.

Adapter	Test Socket	Board	QFP Plug
PA40-44-X-DZ-QF	40-ADZ *	PA40-44-X-Q	PQF-44
PA40-44-X-DP-QF	none *	PA40-44-X-Q	PQF-44

\*The board always has a 40 pin DIP production socket. The optional test socket plugs into the production socket.

### Test Socket

LSC #	Style	Mfgr/P n
40ADZ	DIP ZIF	Aries 40-6554-11

When disassembling the adapter take care not to bend the pins. When reassembling the adapter note the pin 1 indicators to align the parts correctly.

### Adapter Wiring

The adapter is custom configurable by adding wires or jumpers between two set of wire-wrap posts. The outer set connects to the QFP plug. The inner set connect to the DIP socket.

NOTE: The adapter is wired and labeled as a DIP to PLCC adapter. As shown in the drawings, QFP pin 1 is connected to header pin 7.

The following chart could be filled out by the user to document the adapters wiring.

DIP	SIGNAL	HDR	QFP	QFP	HDR	SIGNAL	DIP
		7	1	44	6		
		8	2	43	5		
		9	3	42	4		
		10	4	41	3		
		11	5	40	2		
		12	6	39	1		
		13	7	38	44		
		14	8	37	43		
		15	9	36	42		
		16	10	35	41		
		17	11	34	40		
		18	12	33	39		
		19	13	32	38		
		20	14	31	37		
		21	15	30	36		
		22	16	29	35		
		23	17	28	34		
		24	18	27	33		
		25	19	26	32		
		26	20	25	31		
		27	21	24	30		
		28	22	23	29		



**Adapters-Plus Inc.**

P.O. BOX 900  
Tracy, Ca 95378  
ph.209-839-0200  
fax.209-839-0235  
email: sales@adapt-plus.com

www.adapt-plus.com

PA40-44-X-Dx-QF Data Sheet

Doc: 4044XDQ.DOC

Rev 06/19/00

Page 1 of 1