

PIN SPECIFICATIONS:

MATERIAL:
BRASS ALLOY 360 1/2 HARD PER QQ-B-626

FINISH:
10u GOLD OVER 100u NICKEL MIL-G-45204

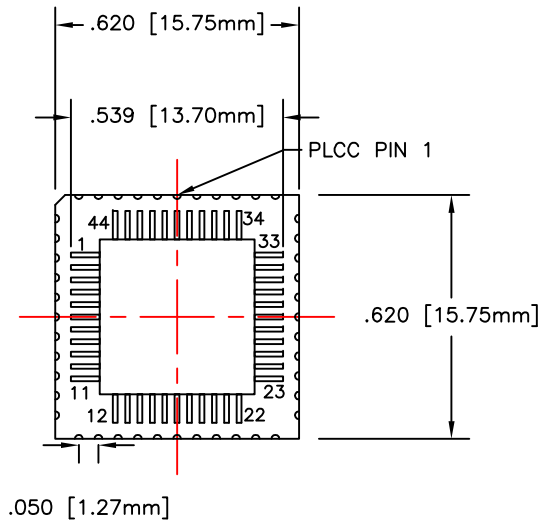
ELECTRICAL:
CURRENT: 1 AMP
RESISTANCE: <25 M OHM

MATERIAL SPECIFICATIONS:

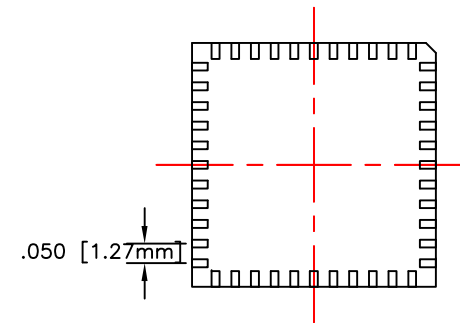
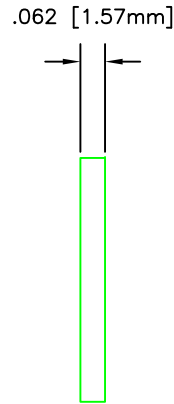
STANDARD MATERIAL:
GLASS EPOXY FR-4, IPC-4101/24,
MIL-S-13949/04-GF/GFGUL:
94V-0, CONTINUOUS USE TEMP 150C,
HEAT DEFLECTION TEMP(@264 PSI)175C

REVISIONS

ZONE	REV	DESCRIPTION	DATE	APPROVED
---	A	NEW RELEASE	09/21/05	



TOP VIEW



BOTTOM VIEW

UNLESS OTHERWISE SPECIFIED
DIMENSIONS ARE IN INCHES
TOLERANCES ARE :

FRACTIONS	DECIMALS	ANGLES
+/- .1	.XX=+/- .01	+/- .1°
	.XXX=+/- .005	

CONTRACT NO.

APPROVALS:

DRAWN BY:
ANDREW MONTOYA

CHECKED:
MIKE OIDEM

ISSUED: ANDREW MONTOYA



ADAPTERS-PLUS
WWW.ADAPT-PLUS.COM, PH 209-839-0200

44 QFP TO 44 PLCC
44 PLCC SMT SOCKET FOOTPRINT

SIZE A	FSCM NO.	DWG NO. 44QF-44PLCC	REV A
SCALE: 2:1	DATE : 09/21/05	SHEET: 1 OF 1	

B.O.M.

PART NUMBER	QTY	DESCRIPTION(1)
1) 44QF-44PLCC	1	PCB

DO NOT SCALE DRAWING