

PA711D3-Dx-QF Data Sheet

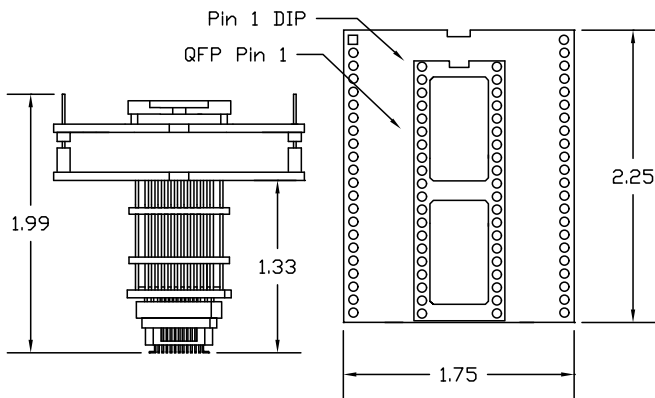
40 pin DIP ZIF socket/44 pin QFP plug

Supported Device/Footprints

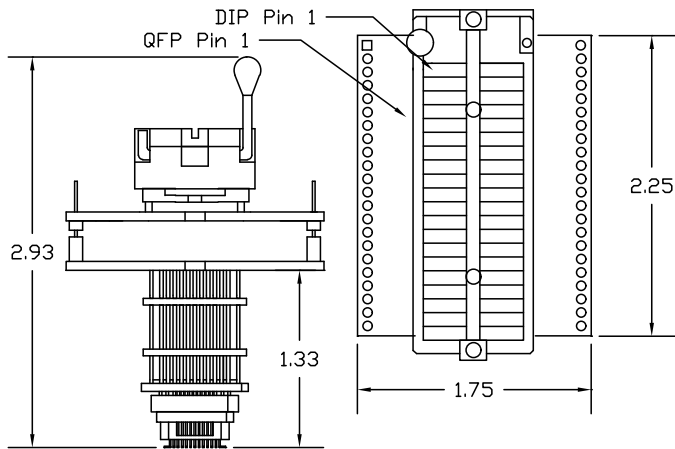
These adapters accept 40 pin DIP devices and have a removable 44 pin QFP solder-down plug. This allows DIP devices, or emulators with DIP plugs, to be used during development of QFP based products.

Socket			Plug	
Mfgr	Device	Package	Device	Plug
Motorola	MC68HC711D3	DIP	MC68HC711D3	44 pin QFP

Adapter Dimensions



PA711D3DP-QF



PA711D3DZ-QF

Adapter Construction

The adapter is made up of 3 or 4 sub-assemblies. They assemble via connectors making the adapter modular. This way the sub-assemblies can be replaced easily.

When disassembling the adapter take care not to bend the pins. When reassembling the adapter note the pin 1 indicators to align the parts correctly.

The following chart lists the adapters described by this datasheet and their subassemblies.

Adapter	Test Socket	Top Board	Bottom Board	QFP Plug
PA711D3-DZ-QF	40-ADZ *	PA711D3-44-DT	44-PLUG-Q	PQF-44
PA711D3-DP-QF	none *	PA711D3-44-DT	44-PLUG-Q	PQF-44

* The adapter always has a 40 pin DIP production socket. The optional test socket plugs into the production socket.

Test Socket

LSC #	Style	Mfgr/P n
40ADZ	DIP ZIF	Aries 40-6554-11

Adapter Wiring

The following chart shows the connections from the DIP device to the adapter's QFP plug.

DIP	QFP	QFP	DIP
N/C	7	6	40
1	8	5	39
2	9	4	38
3	10	3	37
4	11	2	36
5	12	1	35
6	13	44	34
7	14	43	33
8	15	42	32
9	16	41	31
10	17	40	30
11	18	39	29
12	19	38	28
13	20	37	N/C
14	21	36	27
15	22	35	26
16	23	34	25
17	24	33	24
18	25	32	N/C
19	26	31	23
20	27	30	N/C
21	28	29	22



Adapters-Plus Inc.

P.O. BOX 900
 Tracy, Ca 95378
 ph.209-839-0200
 fax.209-839-0235
 email: sales@adapt-plus.com

www.adapt-plus.com