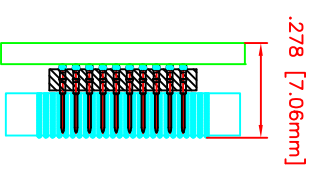
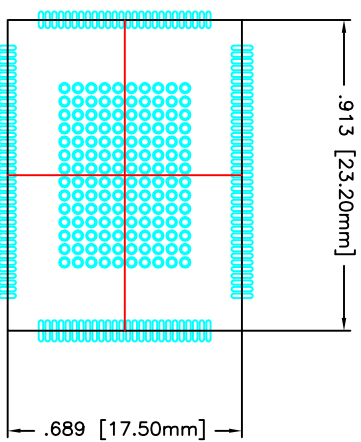
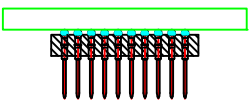
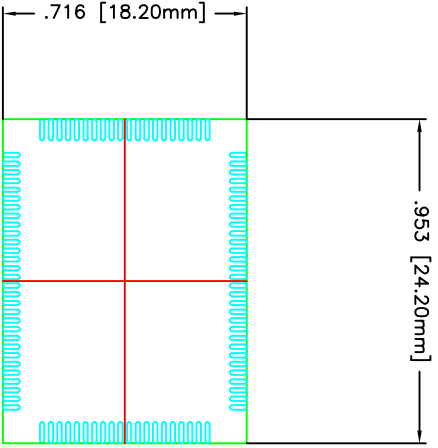


PRELIMINARY DRAWING.



build up plating to $.010$ on bottom side of PCB.