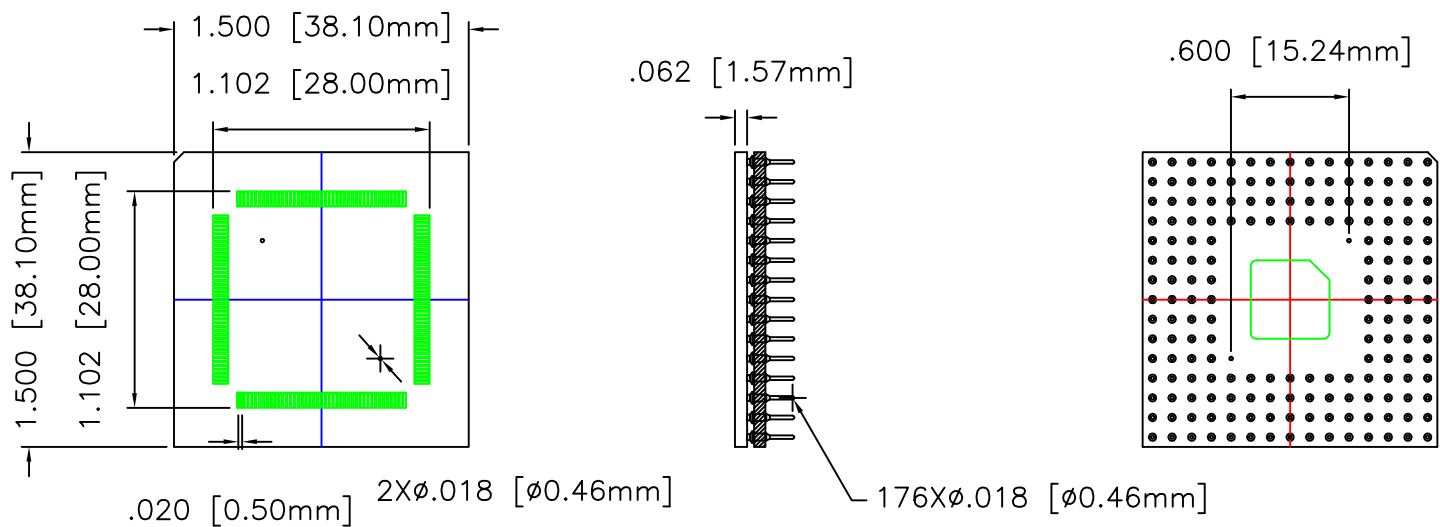


MATERIAL SPECIFICATIONS:  
 STANDARD MATERIAL:  
 GLASS EPOXY FR-4, IPC-4101/24,  
 MIL-S-13949/04-GF/GFGUL:  
 94V-0, CONTINUOUS USE TEMP 150C,  
 HEAT DEFLECTION TEMP(264 PSI)175C


REVISIONS				
ZONE	REV	DESCRIPTION	DATE	APPROVED
---	1	PRELIMINARY	09/13/07	

TOP VIEW



NOTES:

CHIP SOLDERS  
 TO TOP SIDE OF (PCB)  
 ASSEMBLY OF CHIP NOT INCLUDED

CONTRACT NO.		 ADAPTERS-PLUS WWW.ADAPT-PLUS.COM, PH 209-839-0200		
APPROVALS:		INTERPOSER ADAPTER, CONVERTS 176 TQFP TO PGA ACTEL A42MX16 TO A1280XL		
DRAWN BY: ANDREW MONTOYA				
CHECKED: MIKE OIDEM	SIZE A	FSCM NO.	DWG NO. CA176TQ-176PGACTEL	REV 1
ISSUED: ANDREW MONTOYA	SCALE: 4:1	DATE : 09/13/07	SHEET: 1 OF 1	