

PIN SPECIFICATIONS:
 MATERIAL: BRASS ALLOY 360 1/2 HARD PER QQ-B-628
 FINISH: 10u GOLD OVER 100u NICKEL MIL-C-45204
 ELECTRICAL PERFORMANCE TESTS IAW MIL-STD-202 OR 1344 METHODS:
 MAX VOLTAGE: 50 VAC/60 VDC
 MAX CURRENT: 1 AMP
 CONTACT RES: 010 MAX .01 AMPS/2VDC
 INSULATION RESISTANCE: 5000 MEGOHMS MIN.
 CAPACITANCE: 1pf MAX
 SELF INDUCTANCE: 2nH MAX.

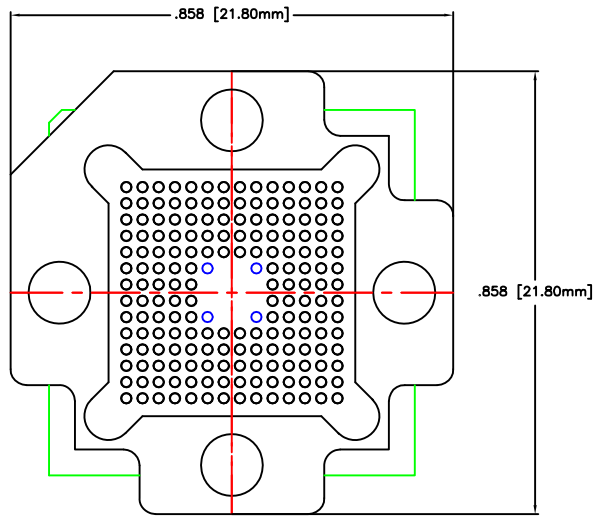
MATERIAL SPECIFICATIONS:
 STANDARD MATERIAL:
 GLASS EPOXY FR-4, IPC-4101/24,
 MIL-S-13949/04-GF/30UL
 94V-0, CONTINUOUS USE TEMP 150C,
 HEAT DEFLECTION TEMP(264 PSI)175C
 SOLDER BALL: 0200, Eutectic, 63/37
 12. 93-91. MELTING TEMPERATURE
 183C

B.O.M.

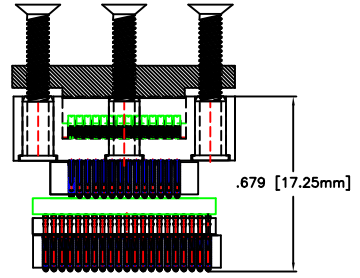
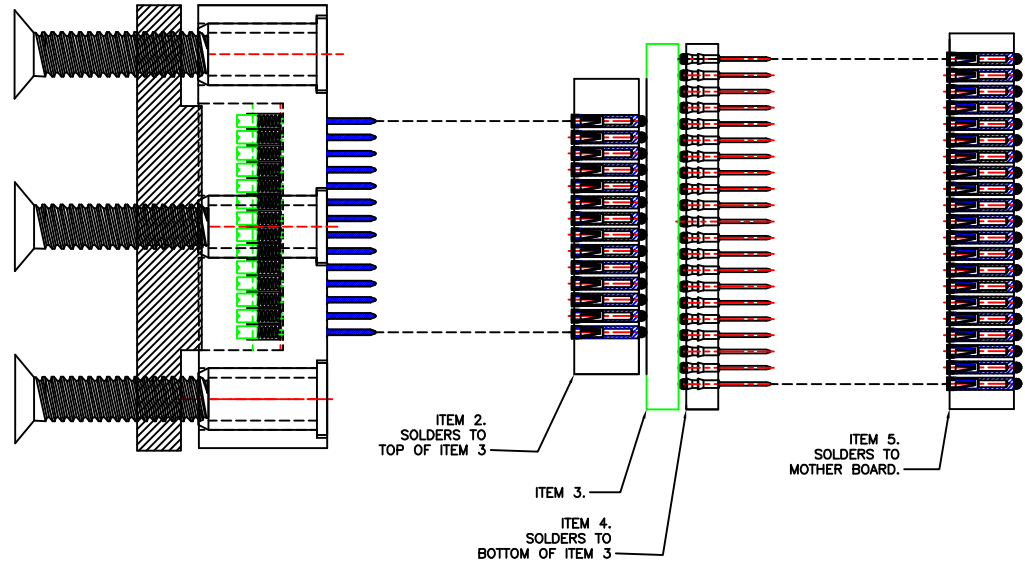
PART NUMBER	QTY	DESCRIPTION
1) BL180T140BF	1	LOCKING SOCKET
2) FBS180S140BF-SPL	1	FEMALE SOCKET
3) 180-380BG-UMODE	1	PCB
4) LHS360-2104F-SPL	1	LGA HEADER
5) FBS360S2104F	1	FEMALE BGA SOCKET

REVISIONS				
ZONE	REV	DESCRIPTION	DATE	APPROVED
---	A	NEW RELEASE	12/05/06	

TOP VIEW



BOTTOM VIEW



THIS DRAWING CONTAINS PROPRIETARY INFORMATION AND IS PROPERTY OF ADAPTERS-PLUS INC. IT MAY NOT BE ISSUED FOR MANUFACTURE OR SALE, REPRODUCED, TRANSMITTED OR OTHERWISE DISCLOSED TO ANY OTHER PARTY WITHOUT THE EXPRESSED WRITTEN CONSENT FROM ADAPTERS-PLUS INC.



ADAPTERS-PLUS
 WWW.ADAPT-PLUS.COM, PH 209-839-0200

CUSTOM BGA INTERPOSER
 CONVERTS 180 BGA TO 360 BGA FOR IDT.

DRAWN BY:
 ANDREW MONTOYA

CHECKED:
 MIKE OIDEM

SIZE	FSCM NO.	DWG NO.	REV
SCALE	2:1	DATE : 12/05/06	SHEET