

PIN SPECIFICATIONS:

MATERIAL:
BRASS ALLOY 360 1/2 HARD PER QQ-B-626

FINISH:
10u GOLD OVER 100u NICKEL MIL-G-45204

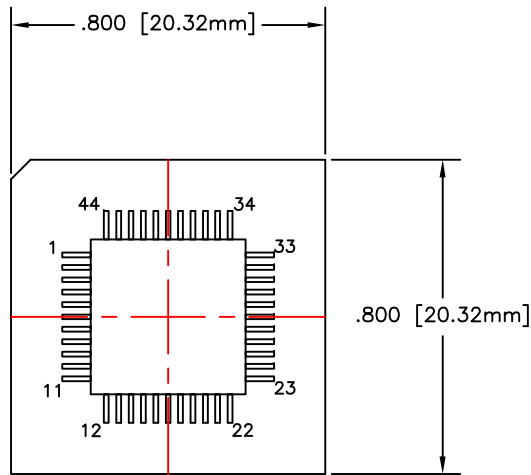
ELECTRICAL:
CURRENT: 1 AMP
RESISTANCE: <25 M OHM

MATERIAL SPECIFICATIONS:

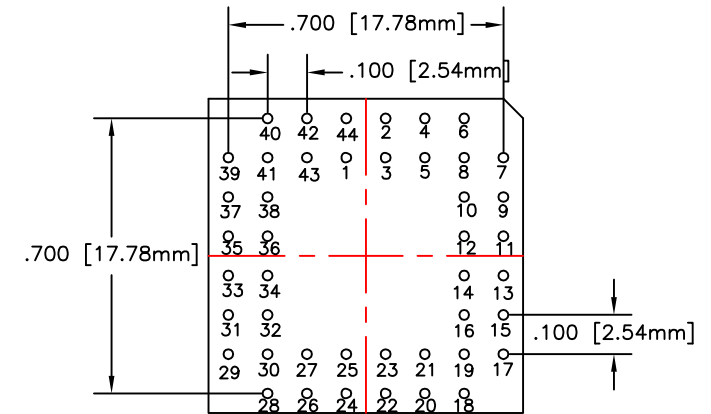
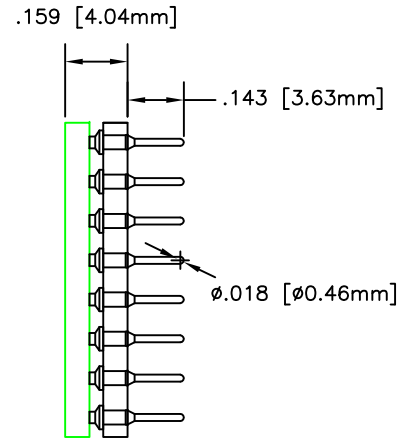
STANDARD MATERIAL:
GLASS EPOXY FR-4, IPC-4101/24,
MIL-S-13949/04-GF/GFGUL:
94V-0, CONTINUOUS USE TEMP 150C,
HEAT DEFLECTION TEMP(@264 PSI)175C

REVISIONS


ZONE	REV	DESCRIPTION	DATE	APPROVED
---	A	NEW RELEASE	09/15/05	



TOP VIEW



BOTTOM VIEW

UNLESS OTHERWISE SPECIFIED DIMENSIONS ARE IN INCHES TOLERANCES ARE : FRACTIONS DECIMALS ANGLES +/- .1 .XX=+/- .01 +/- .1° .XXX=+/- .005	CONTRACT NO.		 ADAPTERS-PLUS WWW.ADAPT-PLUS.COM, PH 209-839-0200			
	APPROVALS:					
MATERIAL: SEE NOTES	DRAWN BY: ANDREW MONTOYA		44 PLCC TO 44 PIN GRID ARRAY 1-1 44 PLCC PRODUCTION SOCKET FOOTPRINT			
FINISH: SEE NOTES	CHECKED: MIKE OIDEM					
B.O.M. PART NUMBER QTY DESCRIPTION1) 1) 44QF-44PG 1 PCB 2) PH044-0801-4180F 1 PGA HEADER	ISSUED: ANDREW MONTOYA		SIZE A	FSCM NO.	DWG NO. CA44QFP-44PGA	REV A
	DO NOT SCALE DRAWING		SCALE: 2:1	DATE : 09/15/05	SHEET: 1 OF 1	