

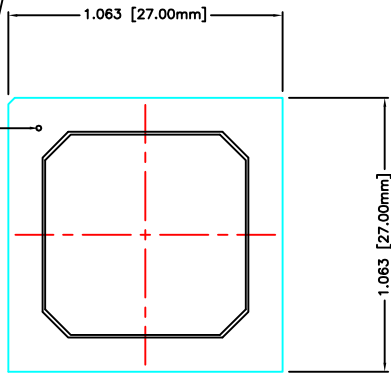
PIN SPECIFICATIONS:
 MATERIAL: BRASS ALLOY 360 1/2 HARD PER QQ-B-628
 FINISH: 10u GOLD OVER 100u NICKEL MIL-C-45204
 ELECTRICAL PERFORMANCE TESTS IAW MIL-STD-202 OR 1344 METHODS:
 MAX VOLTAGE: 50 VAC/60 VDC
 MAX CURRENT: 1 AMP
 CONTACT RES: 010 MAX .01 AMPS/2VDC
 INSULATION RESISTANCE: @500 VDC: 5000 MEGOHMS MIN.
 CAPACITANCE: 1pf MAX
 SELF INDUCTANCE: 2nH MAX.

MATERIAL SPECIFICATIONS:
 STANDARD MATERIAL:
 GLASS EPOXY FR-4, IPC-4101/24,
 MIL-S-13949/04-GF/3/0/UL
 94V-0, CONTINUOUS USE TEMP 150C,
 HEAT DEFLECTION TEMP(@264 PSI)175C
 SOLDER BALL: 0206 Eutectic Sn/Pb
 1% Bi-80. MELTING TEMPERATURE
 183°C

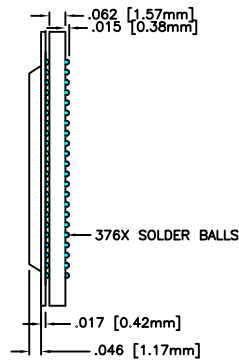
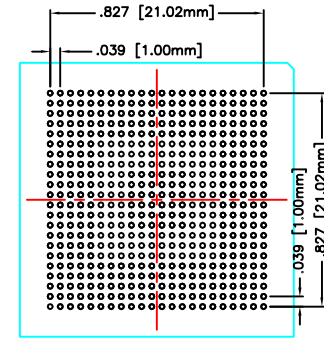
REVISIONS				
ZONE	REV	DESCRIPTION	DATE	APPROVED
---	1	PRELIMINARY	11/14/07	

TOP VIEW

ALIGN COMPONENT PIN A1
 WITH CHAMFER ON PCB.



BOTTOM VIEW



THIS DRAWING CONTAINS PROPRIETARY INFORMATION AND IS PROPERTY OF ADAPTERS-PLUS INC. IT MAY NOT BE ISSUED FOR MANUFACTURE OR SALE, REPRODUCED, TRANSMITTED OR OTHERWISE DISCLOSED TO ANY OTHER PARTY WITHOUT THE EXPRESSED WRITTEN CONSENT FROM ADAPTERS-PLUS INC.



ADAPTERS-PLUS
 WWW.ADAPT-PLUS.COM, PH 209-839-0200

CUSTOM BGA INTERPOSER
 ADAPTER MIRRORS THE PINOUT OF 484 BGA

DRAWN BY: ANDREW MONTOYA	SIZE	FSCM NO.	DWG NO. CA484BG-MIRROR	REV 1
CHECKED: MIKE OIDEM	SCALE 2:1	DATE 11/14/07	SHEET	