

**PIN SPECIFICATIONS:**

**MATERIAL:**  
BRASS ALLOY 360 1/2 HARD PER QQ-B-626

**FINISH:**  
10u GOLD OVER 100u NICKEL MIL-G-45204

**ELECTRICAL:**  
CURRENT: 1 AMP

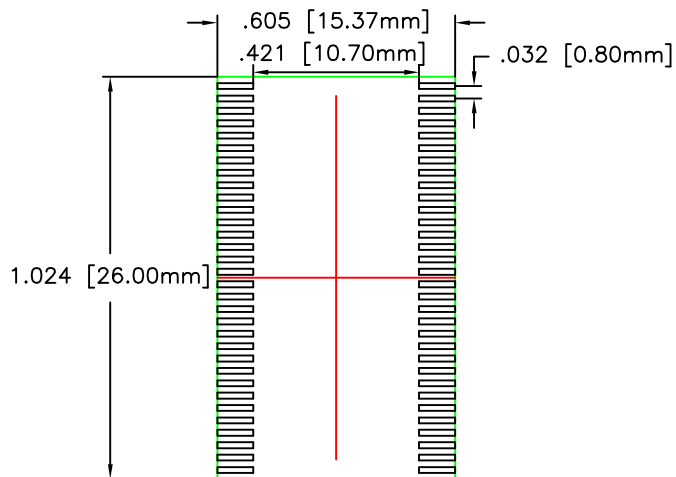
**MATERIAL SPECIFICATIONS:**

**STANDARD MATERIAL:**  
GLASS EPOXY FR-4, IPC-4101/24,  
MIL-S-13949/04-GF/GFGUL:  
94V-0, CONTINUOUS USE TEMP 150C,  
HEAT DEFLECTION TEMP(@264 PSI)175C

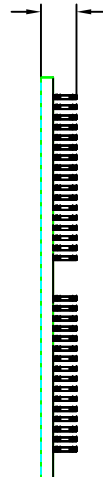
**REVISIONS**

ZONE	REV	DESCRIPTION	DATE	APPROVED
---	1	PRELIMINARY	02/15/06	

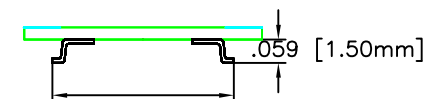
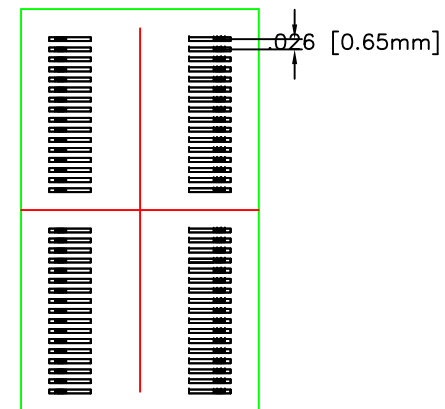
**TOP VIEW**




**.090 [2.29mm]**



**BOTTOM VIEW**



**.461 [11.72mm]**

UNLESS OTHERWISE SPECIFIED DIMENSIONS ARE IN INCHES TOLERANCES ARE : FRACTIONS DECIMALS ANGLES +/- .1 .XX=+/- .01 +/- .1° .XXX=+/- .005	CONTRACT NO.	 <b>Adapters-Plus</b> ☎ 209-839-0200 P.O. BOX 900 TRACY, CA 95378 WWW.ADAPT-PLUS.COM			
	APPROVALS:				64 TSOP1170/64 TO 64SSOP64 FOR OKI M5M54V16283
MATERIAL: SEE NOTES	DRAWN BY: ANDREW MONTOYA	SIZE A	FSCM NO.	DWG NO. CA64.8-64.65-MSM54V16283	
FINISH: SEE NOTES	CHECKED: MIKE OIDEM	SCALE: 2:1		DATE : 02/15/06	SHEET: 1 OF 1
DO NOT SCALE DRAWING	ISSUED: ANDREW MONTOYA				