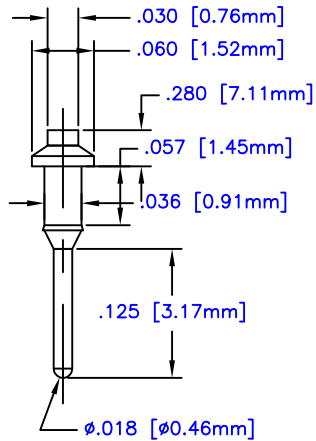


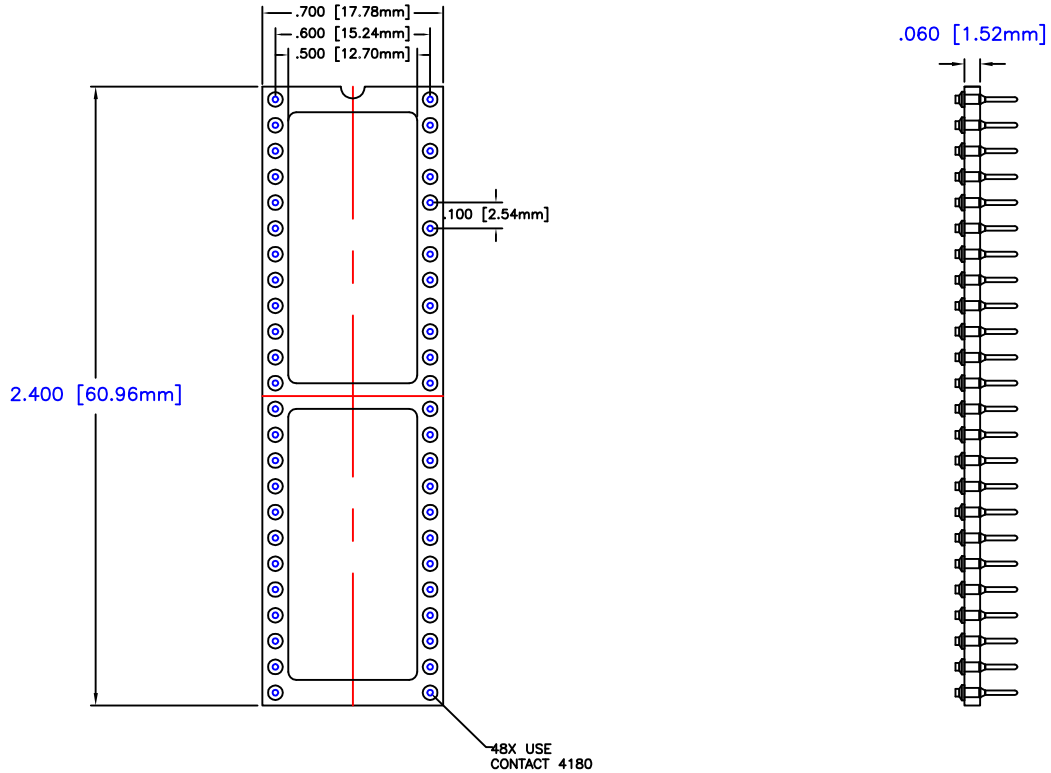
NOTES:

1. MATERIALS: SHELL - BRASS ALLOY TYPE 360, 1/2 HD., PER QQ-B-626.
CONTACT - BERYLLIUM COPPER ALLOY TYPE 172, HT, PER QQ-C-533
2. APPLICABLE PLATING SPECIFICATIONS: GOLD - MIL-G-45204, NICKEL- QQ-N-290, 93/7 BRIGHT TIN LEAD - MIL-T-10727.
3. TERMINAL PLATING 10u" GOLD OVER 100u" NICKEL

REVISIONS				
ZONE	REV	DESCRIPTION	DATE	APPROVED
---	A	LAST MODIFIED	01/04/08	




PIN DRAWING SCALE 8:1
USE PIN 4180 10u GOLD
OVER 100u NICKEL



NOTES:
(UNLESS OTHERWISE SPECIFIED)
1: ALL ROUNDS ARE R.020 [R0.51mm]
2: ALL FILLETS ARE R.031 [R0.79mm]
3: ALL CHAMFERS ARE .200 [5.08mm] X 45°
4: LOCKING COVER ROUNDS ARE R.100 [R2.54mm]
5: ALL VIEWS SHOWN AS TOP VIEW

UNLESS OTHERWISE SPECIFIED DIMENSIONS ARE IN INCHES TOLERANCES ARE :
FRACTIONS DECIMALS ANGLES
+/- .1 .XX=+/- .01 +/- .1°
.XXX=+/- .005
MATERIAL: SEE NOTES
FINISH: SEE NOTES
DO NOT SCALE DRAWING

CONTRACT NO.
APPROVALS:
DRAWN BY: ANDREW MONTOYA
CHECKED: MIKE OIDEM
ISSUED: ANDREW MONTOYA

 ADAPTERS-PLUS WWW.ADAPT-PLUS.COM, PH 209-839-0200		48 PIN SMT DIP HEADER .6" WIDE		
SCALE: 2:1	DATE: 01/04/08	SHEET: 1 OF 1		