

PIN SPECIFICATIONS:

MATERIAL:
BRASS ALLOY 360 1/2 HARD PER QQ-B-626

FINISH:
10u GOLD OVER 100u NICKEL MIL-G-45204

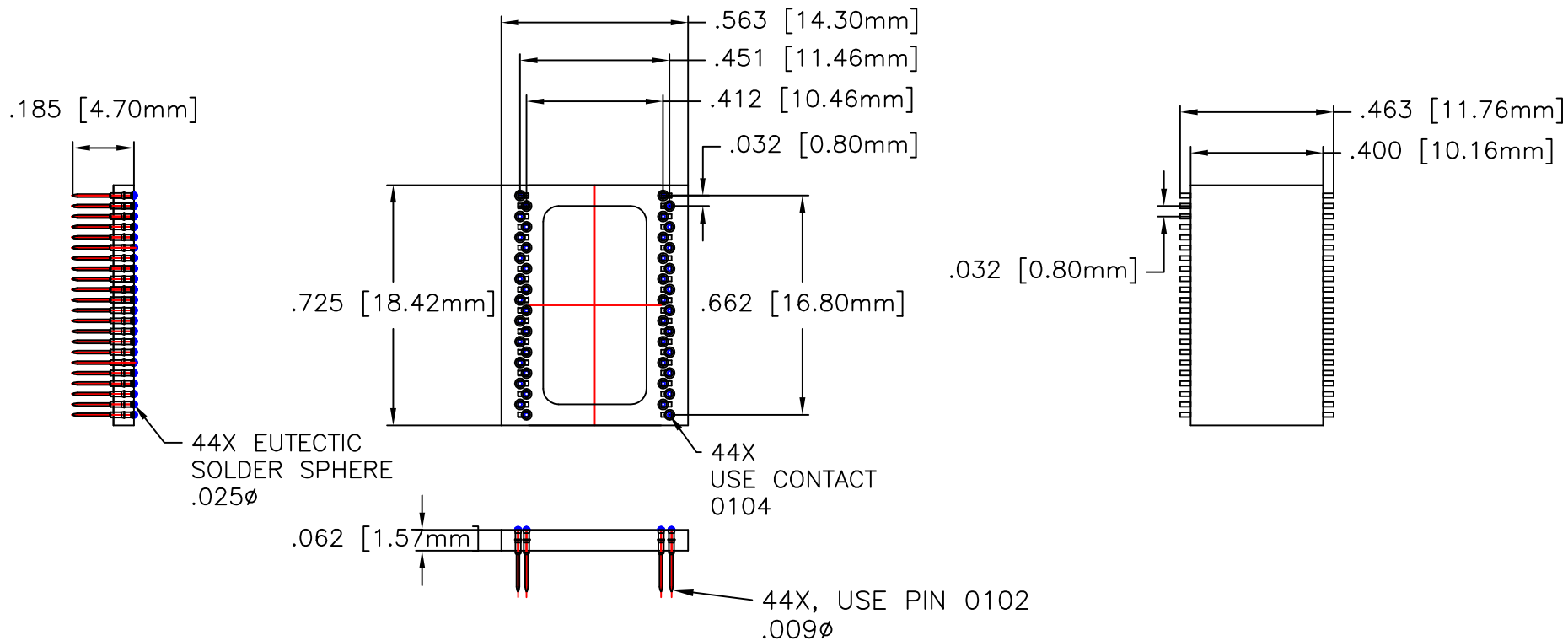
ELECTRICAL:
CURRENT: 1 AMP


MATERIAL SPECIFICATIONS:

STANDARD MATERIAL:
GLASS EPOXY FR-4, IPC-4101/24,
MIL-S-13949/04-GF/GFGUL:
94V-0, CONTINUOUS USE TEMP 150C,
HEAT DEFLECTION TEMP(@264 PSI)175C

REVISIONS

ZONE	REV	DESCRIPTION	DATE	APPROVED
---	A	NEW RELEASE	11/20/04	



UNLESS OTHERWISE SPECIFIED DIMENSIONS ARE IN INCHES TOLERANCES ARE : FRACTIONS DECIMALS ANGLES +/- .1 .XX=+/- .01 +/- .1° .XXX=+/- .005	CONTRACT NO.	 Adapters-Plus 209-839-0200 15 W 8TH STREET SITE B; TRACY, CA 95376 WWW.ADAPT-PLUS.COM			
	APPROVALS:				
MATERIAL: SEE NOTES	DRAWN BY: ANDREW MONTOYA	44 POSITION HEADER FOR 44 TSOP11 0.80MM PITCH			
FINISH: SEE NOTES	CHECKED: MIKE OIEM				SIZE A
DO NOT SCALE DRAWING	ISSUED: ANDREW MONTOYA	SCALE: 2:1	DATE : 11/20/04	SHEET: 1 OF 1	