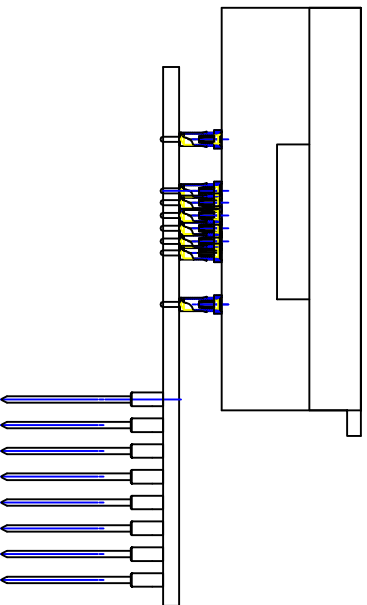
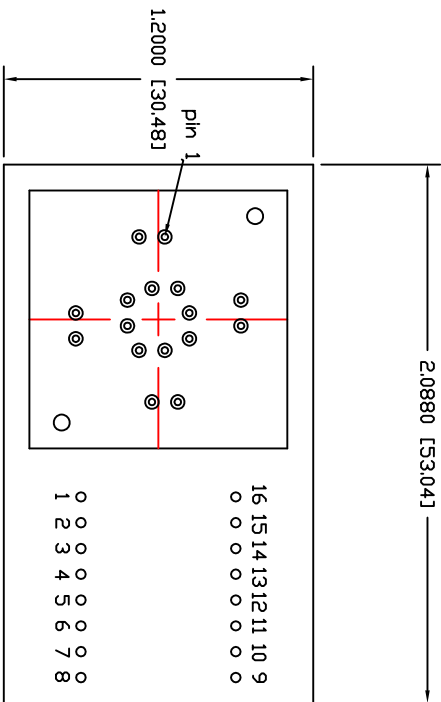
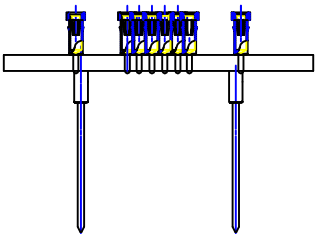
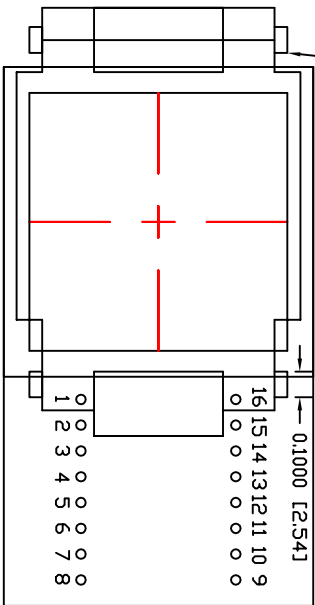


PIN SPECIFICATIONS:  
 MATERIAL: BRASS ALLOY 360 1/2 HARD PER QQ-B-628  
 FINISH: POLISHED  
 ELECTRICAL PERFORMANCE TESTS: MIL-STD-202 OR 1344 METHODS  
 MAX VOLTAGE: 90 VDC/75 VDC  
 MAX CURRENT: 1 AMP/50 AMP/700C  
 RESISTANCE: 100 OHMS/1000 OHMS/1000 OHMS MIN.  
 INSULATION RESISTANCE: 6500 VDC/5000 MEGOHMS MIN.  
 SELF-INDUCTANCE: 20H MAX.

MATERIAL SPECIFICATIONS:  
 STANDARD MATERIAL: GLASS EPOXY FR-4, PC-4101/24,  
 94V-0, CONTINUOUS USE TEMP 130C,  
 HEAT DEFORMATION TEMP(62% FS)175C

socket hinge  
orientation



REVISIONS				
ZONE	REV	DESCRIPTION	DATE	APPROVED
---	1	PRELIMINARY	07/15/08	

THIS DRAWING CONTAINS PROPRIETARY INFORMATION AND IS PROPERTY OF ADAPTERS-PLUS, INC. IT MAY NOT BE REPRODUCED, TRANSMITTED OR OTHERWISE DISCLOSED TO ANY OTHER PARTY WITHOUT THE WRITTEN CONSENT FROM ADAPTERS-PLUS, INC.



ADAPTERS-PLUS  
 WWW.ADAPT-PLUS.COM, PH 209-839-0200

SOCKET RECEPTACLE FOR 3M TEXTPOOL  
 16 PIN LCC SOCKET

DRAWN BY:	ANDREW MONTOYA	SIZE	FSQM NO.	DWG NO.	PA16-16LZ-6	REV	A
CHECKED:	MIKE OIDEM	SCALE	4:1	DATE	07/15/08	SHEET	