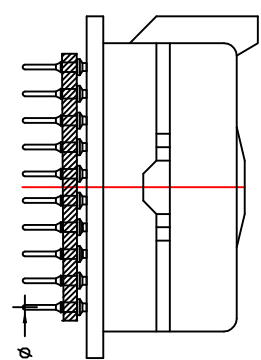
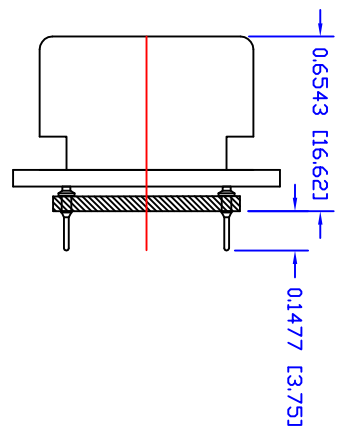
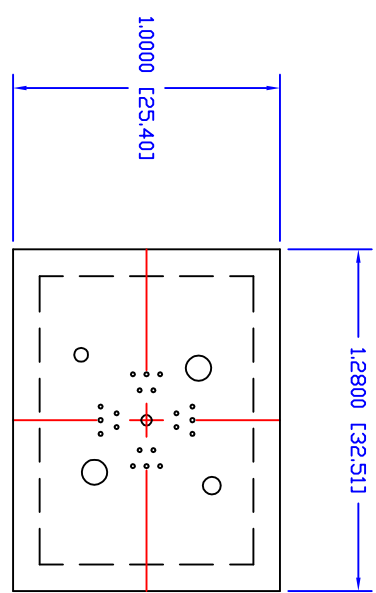


PIN SPECIFICATIONS:  
 MATERIAL: BRASS  
 ALLOY: 360 1/2 HARD PER QQ-B-626  
 FINISH: 10u GOLD OVER 100u NICKEL MIL-C-45204  
 ELECTRICAL: CURRENT: 1 AMP  
 RESISTANCE: <25 M OHM

MATERIAL SPECIFICATIONS:  
 STANDARD MATERIAL: CLASS EPOXY FR-4 IPC-4101/24,  
 MIL-S-13949 /04-GF/CF/UL: 94V-0 CONTINUOUS USE TEMP 150C,  
 HEAT DEFLECTION TEMP@264 PSI)175C

B.O.M.		QTY		DESCRIPTION	
PART NUMBER	QTY	SOCKET	PCB	DIP HEADER	
1) 200PVT-6	1				
2) 200PVT-6	1				
3) DW20-6-4180F	1				



PROPRIETARY INFORMATION.

NOTES:  
 (UNLESS OTHERWISE SPECIFIED)  
 1: ALL ROUNDS ARE R.020 [R0.51mm]  
 2: ALL FILETS ARE R.031 [R0.79mm]  
 3: ALL CHAMFERS ARE 0.050 [1.27] X 45°  
 4: LOCKING COVER ROUNDS ARE R.100 [R25.4mm]  
 5: ALL VIEWS SHOWN AS TOP VIEW

UNLESS OTHERWISE SPECIFIED  
 DIMENSIONS ARE IN INCHES  
 TOLERANCES ARE :  
 FRACTIONS DECIMALS ANGLES  
 +/- .1 .XX=+/- .01 +/- .1°  
 .XXX=+/- .005

MATERIAL: SEE NOTES  
 FINISH: SEE NOTES  
 DO NOT SCALE DRAWING

CONTRACT NO.	DRAWN BY: ANDREW MONTTOYA
APPROVALS:	CHECKED: MIKE OLDEM
ISSUED: ANDREW MONTTOYA	

SCALE: 2:1	DATE: 02/09/06	SHEET: 1 OF 1
------------	----------------	---------------

	ADAPTERS-PLUS WWW.ADAPT-PLUS.COM, PH 209-839-0200	
	20 PIN QFN PROGRAMMING ADAPTER 1-1 PIN CONNECTIONS	
SIZE: A	FSCH NO.	DWG NO. CA20-QFN.65-6
REV: 1		