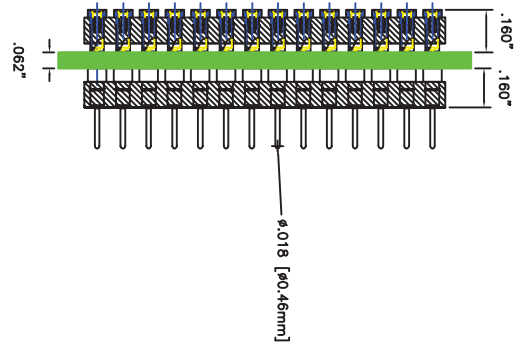
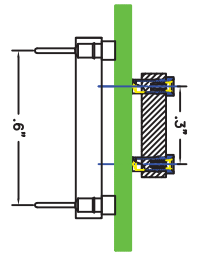
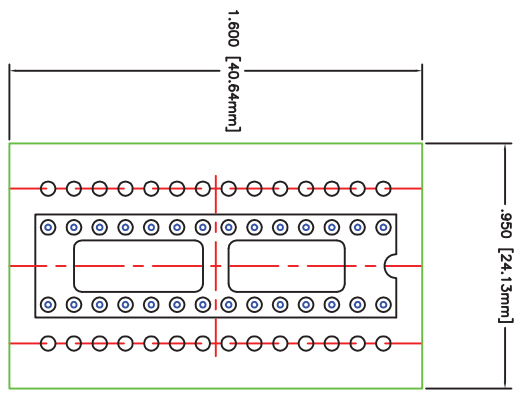


REVISIONS				
ZONE	REV	DESCRIPTION	DATE	APPROVED
---	A	LAST MODIFIED	05/11/10	




NOTES:
(UNLESS OTHERWISE SPECIFIED)
1: ALL ROUNDS ARE R.020 [R0.51mm]
2: ALL FILETS ARE R.031 [R0.79mm]
3: ALL CHAMFERS ARE .200 [5.08mm] X 45°
4: LOCKING COVER ROUNDS ARE R.100 [R2.54mm]
5: ALL VIEWS SHOWN AS TOP VIEW

UNLESS OTHERWISE SPECIFIED DIMENSIONS ARE IN INCHES
TOLERANCES ARE :
FRACTIONS DECIMALS ANGLES
+/- .1 .XXX = +/- .005 +/- .1°

MATERIAL: SEE NOTES
FINISH: SEE NOTES
DO NOT SCALE DRAWING

CONTRACT NO.
DRAWN BY: ANDREW MONTOVA
CHECKED: MIKE OIDEW
ISSUED: ANDREW MONTOVA

 ADAPTERS-PLUS WWW.ADAPT-PLUS.COM, PH 209-839-0200		28 PIN DIP .3 WIDE SOCKET TO 28 PIN DIP .6 WIDE PLUG	SIZE: 2:1 DATE: 05/11/10 SHEET: 1 OF 1	FSCM NO. DWG NO. PA28D3-28D6 REV A
---	--	---	--	--