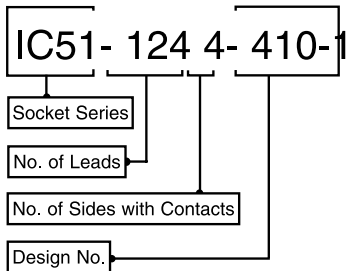
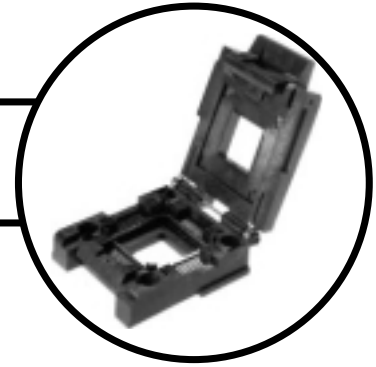


PLCC CLAMSHELL

IC51 Series

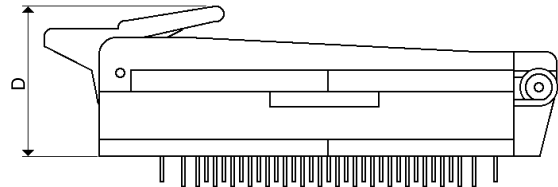
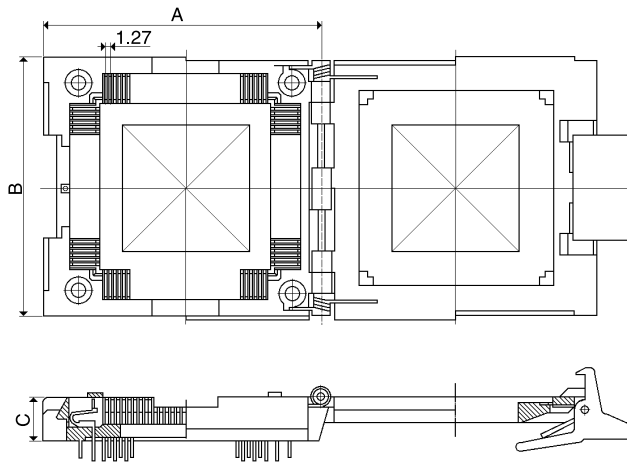


Characteristics

Insulation Resistance:	1,000M $\frac{1}{2}$ minimum at 500 VDC
Withstanding Voltage:	700 VAC for 1 minute
Contact Resistance:	30m $\frac{1}{2}$ max. at 10mA/20mV (Initial)
Operating Temperature:	-55 \circ C ~ +170 \circ C

Material

Insulator:	PEI (Glass Filled)
Contact:	Beryllium Copper
Plating:	Gold over Nickel



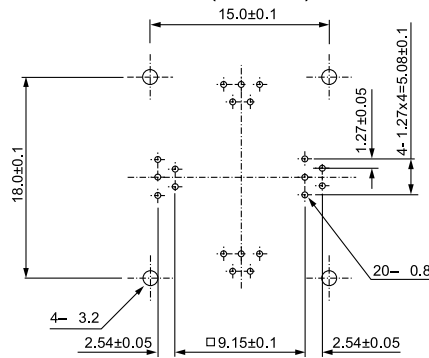
Part Number	No. of Leads	A	B	C (Open)	D (Closed)
IC51-0184-398	18	52	30.0	9.0	2.0
IC51-0204-415	20	54.0	26.0	10.0	20.5
IC51-0204-602	20	31.5	26.0	10.0	20.0
IC51-0224-570	22	29.5	30.0	9.0	19.5
IC51-0284-399	28	36.0	30.0	10.0	20.5
IC51-0324-453	32	35.0	30.0	9.0	19.5
IC51-0444-400	44	40.0	34.0	10.0	20.0
IC51-0524-411-1	52	43.0	38.0	10.0	23.5
IC51-0684-390-1	68	49.0	42.0	10.0	23.5
IC51-0844-401-1	84	55.0	48.0	10.0	23.5
IC51-1004-405-1	100	60.0	54.0	10.0	23.5
IC51-1244-410-1	124	65.0	60.0	10.0	23.5

PLCC CLAMSHELL

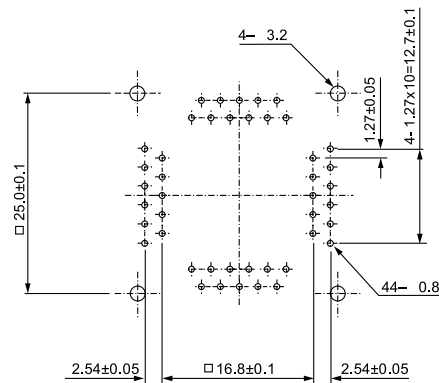
PC BOARD LAYOUTS

IC51 Series

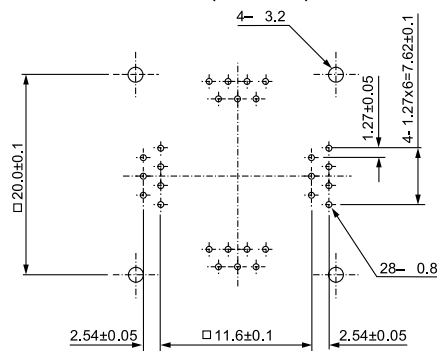
IC51-0204-602 (20 Pins)



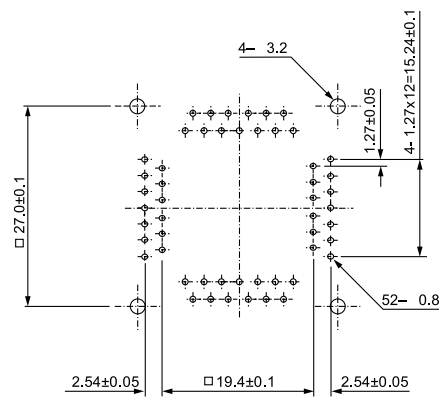
IC51-0444-400 (44 Pins)



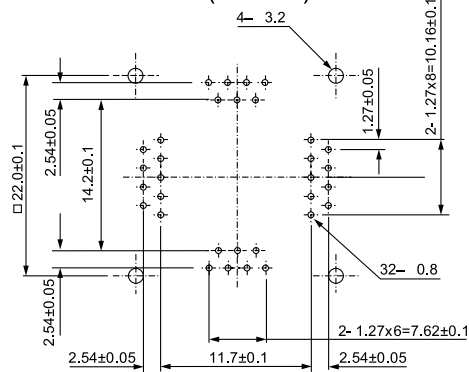
IC51-0284-399 (28 Pins)



IC51-0524-411-1 (52 Pins)



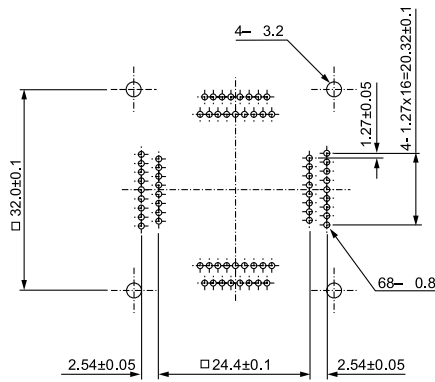
IC51-0324-453 (32 Pins)



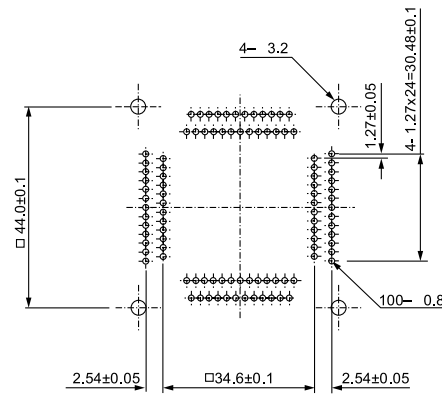
PLCC CLAMSHELL

PC BOARD LAYOUTS

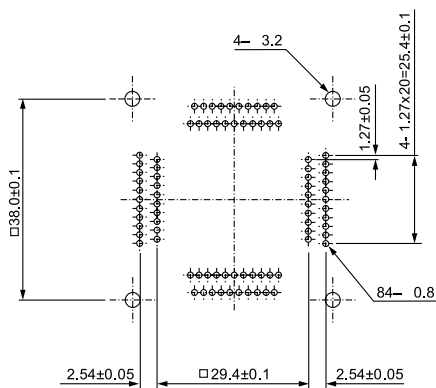
IC51-0684-390-1 (68 Pins)



IC51-1004-405-1 (100 Pins)



IC51-0844-401-1 (84 Pins)



IC51-1244-410-1 (124 Pins)

