

PART NUMBER 8800-0141

DELTA PROBE™

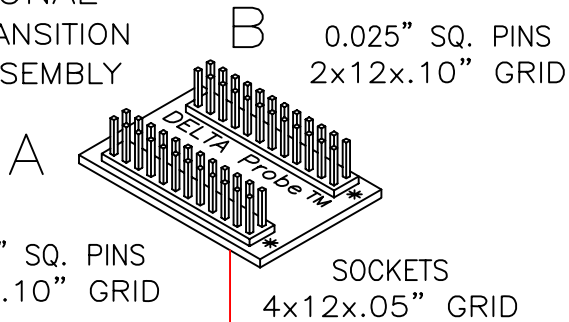
48 PIN TSOP .5MM PITCH



Adapters-Plus ☎ 209-839-0200
15 W 8TH STREET; TRACY, CA 95376

www.adapt-plus.com

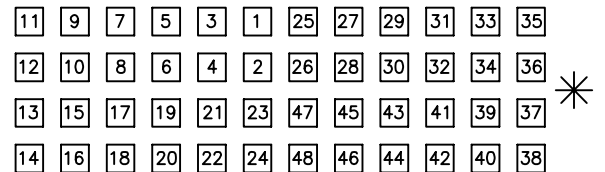
OPTIONAL
 .10" TRANSITION
 PCB ASSEMBLY



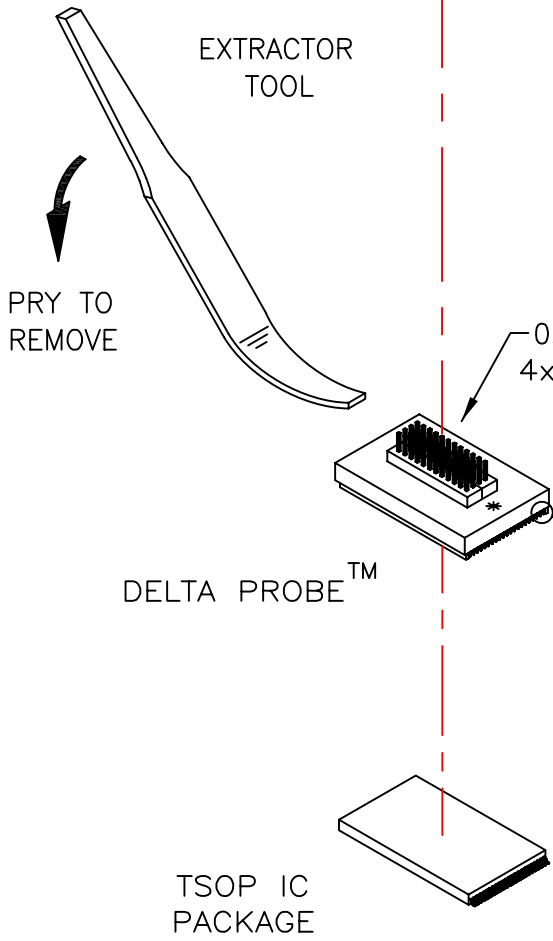
PINOUT OF 2 X 12
 CONNECTOR "A"
 ON TRANSITION BOARD



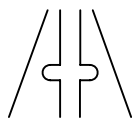
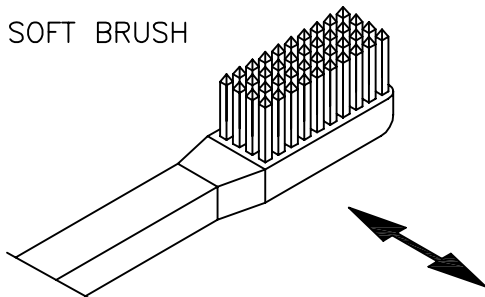
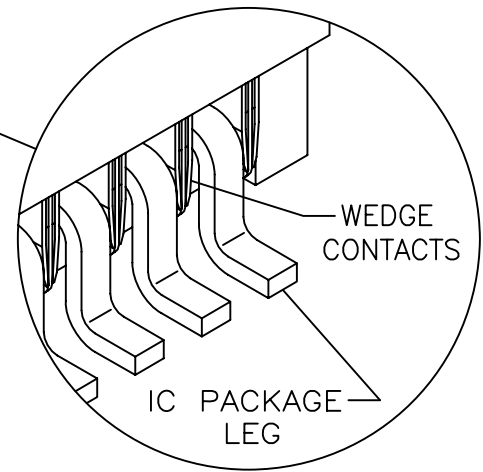
PINOUT OF 2 X 12
 CONNECTOR "B"
 ON TRANSITION BOARD



PINOUT OF 4 X 12 CONNECTOR
 TOP VIEW OF DELTA Probe™



0.015" SQ. PINS
 4x12x.05" GRID



Adapters-Plus ☎ 209-839-0200
 15 W 8TH STREET; TRACY, CA 95376

www.adapt-plus.com